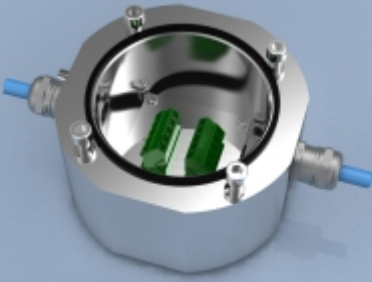




TYPE: AEN



AEN ATEX Stainless Steel Enclosure

Description

The AEN ATEX/IECEX stainless steel Ex d enclosure can be used in zone 1 & 2 hazardous areas. It has been designed to contain an internal explosion and prevent the transmission of sufficient energy to ignite a potentially flammable atmosphere outside of the enclosure.

The AEN ATEX enclosure can be used to house load cell amplifiers, relays/trips or act as a junction box, and is ideal for use with any of the LCM range of ATEX load cells, load shackles, load pins and load links to provide a load monitoring solution for potentially explosive atmospheres. The main body is manufactured from 16mm thick (minimum) stainless steel to give maximum environmental protection, and has been designed to accommodate cable entries for M12, M16 and M20 threads. The number of cable entries can be configured to suit the specific application.

The AEN ATEX enclosure can also be supplied with a mounting plate to facilitate easy attachment to walls, floors and assemblies.

Specification

Enclosure body	Stainless steel (304, 316 or 17-4PH)
Wall thickness	16mm minimum
Maximum internal volume	500cm ³
Cable entries	Number and type specified by customer
Cable entry threads	M12, M16 or M20
Electrical input range	0-27V DC, 81mA maximum
Operating temperature range	-20 to +55°C
Environmental sealing	IP67
Certification	II 2 G EX d IIC T6 Gb IP6X Tamb -20°C to +55°C II 2 D Ex tb IIIC T85°C Db IP6X Tamb -20°C to +55°C
Certificate numbers	IECEX TRC 14.0018x, TRAC14ATEX0047x

Available Options

- Various cable entry thread types available
- Optional mounting plate
- Supplied complete with signal amplifier/conditioner

Features

- Stainless steel construction
- Environmentally sealed to IP67
- Can be supplied with mounting base
- Temperature range of -20°C to +55°C
- Internal volume of up to 500cm³
- Number of cable entries as per customer requirements

Typical Applications

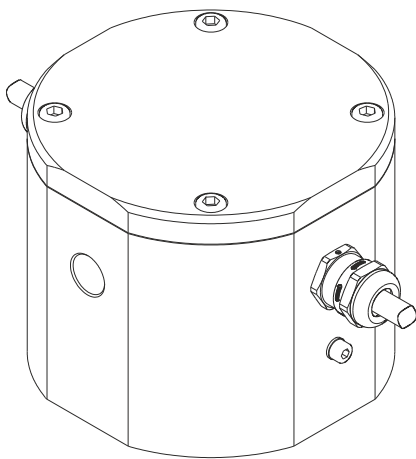
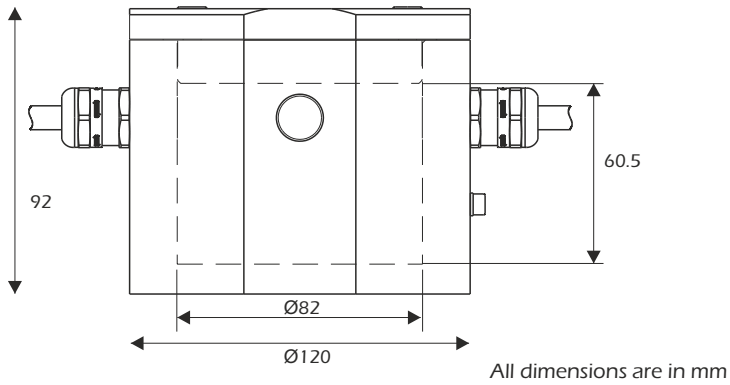
- Amplification of strain gauge based load cells
- Multiple load cell output summation
- Overload protection



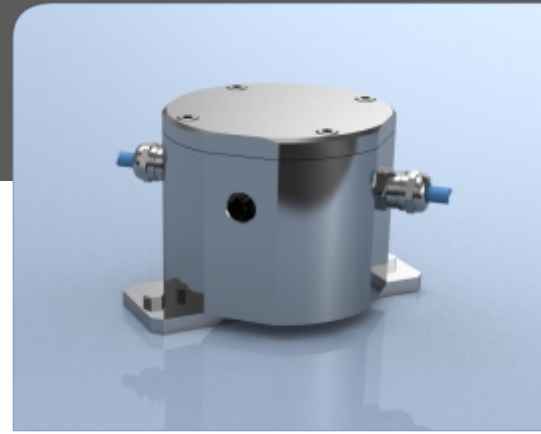
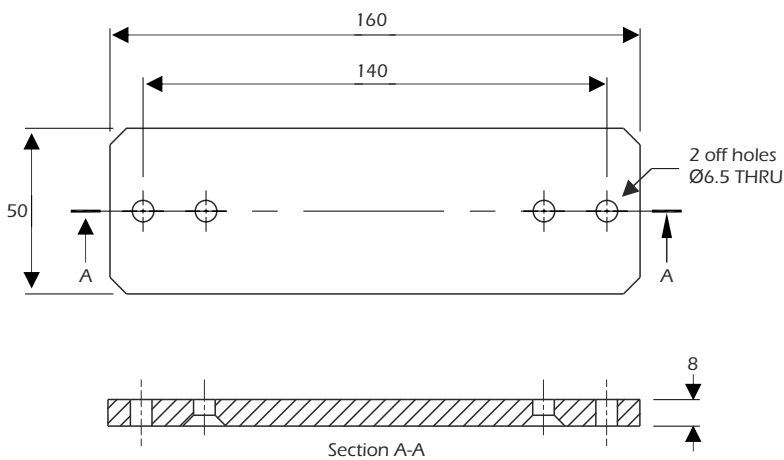
TYPE: AEN

AEN ATEX Stainless Steel Enclosure

Dimensions (Enclosure)



Dimensions (Mounting Base)



www.lcmsystems.com

LCM Systems Ltd
Unit 15, Newport Business Park, Barry Way
Newport, Isle of Wight PO30 5GY UK
Tel: +44 (0)1983 249264
sales@lcmsystems.com
www.lcmsystems.com

Due to continual product development, LCM Systems Ltd reserves the right to alter product specifications without prior notice.

Issue No. 1

Issue date: 25/02/2014

APPROVED

(unapproved if printed)