



TYPE: RODENDS



Male & Female Spherical Rod End Bearings

Description

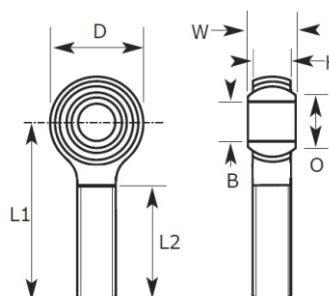
Various load cells offered by LCM Systems have male or female end threads. Using rod end bearings allow the application of forces to be aligned through the load cells principle measurement axis, helping to improve the installed accuracy and protect the load cell from any extraneous forces. The male rod ends below are suitable for use with our STA load cell range, while the female versions can be used with the DCE range.

When selecting the appropriate rod end bearing, it should match the thread size of the load cell that it will be fitted to. It is also important that the maximum load applied does not exceed the static load rating specified for the rod end selected.

These rod end bearings are maintenance free, so need no lubrication. The sizes detailed in this datasheet are the most popular sizes. Other sizes may be available. For further details, please contact LCM Systems sales team.

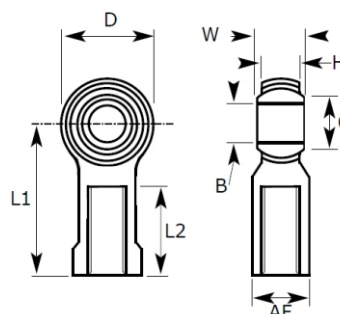
Dimensions

Thread	Bore Size	W	H	D	L1	L2	0	Dynamic Load Rating Radial	Static Load Rating Radial
M6 x 1	6	6	4.4	21	36	12	9.3	3.6kN	8.15kN
M12 x 1.75	12	10	8	34	54	18	15.4	11.4kN	24.5kN
M16 x 2	17	14	11	46	69	23	19.3	22.4kN	45kN
M20 x 1.5	20	16	13	53	78	27	24.5	31.5kN	60kN
M24 x 2	25	20	17	64	94	32	29.6	51kN	83kN
M30 x 2	30	22	19	73	110	37	35.5	65.5kN	110kN
M45 x 3	50	35	30	112	185	62	61	220kN	290kN



All dimensions are in mm

Thread	Bore Size	W	H	D	L1	L2	0	Dynamic Load Rating Radial	Static Load Rating Radial
M4 x 0.7	5	8	6	18	27	10	5	-	6kN
M5 X 0.8	5	8	6	18	27	10	5	-	6kN
M6 X 1	6	6	4.4	21	30	11	9.3	3.6kN	8.15kN
M8 X 1.25	8	8	6	24	36	15	10.4	5.85kN	12.9kN
M12 X 1.75	12	10	8	34	50	23	15.4	11.4kN	24.5kN
M16 X 2	17	14	11	46	67	34	19.3	22.4kN	45kN
M20 X 1.5	20	16	13	53	77	40	24.5	31.5kN	60kN
M24 X 2	25	20	17	64	94	48	29.6	51kN	83kN
M30 X 2	30	22	19	73	110	56	35.5	65.5kN	110kN
M45 X 3	50	35	30	112	160	68	61	220kN	290kN



Features

- Steel housing
- Case hardened bearing
- Improve load cell accuracy by aligning forces through the load cells principle axis
- Maintenance free, no lubrication required
- Supplied and calibrated with load cell

Typical Applications

- Self alignment of forces through load cell
- Adapting of thread on load cell to pin/clevis fitting

LCM Systems Ltd

Unit 15, Newport Business Park
Barry Way, Newport
Isle of Wight PO30 5GY UK
Tel: +44 (0)1983 249264
Fax: +44 (0)1983 249266
sales@lcm systems.com
www.lcm systems.com